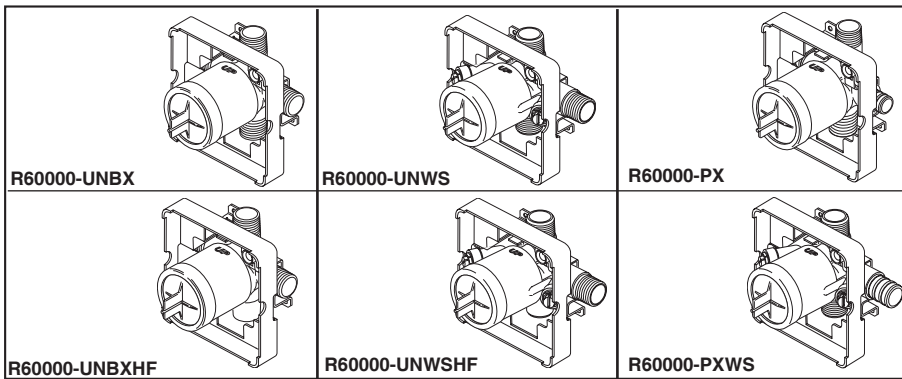


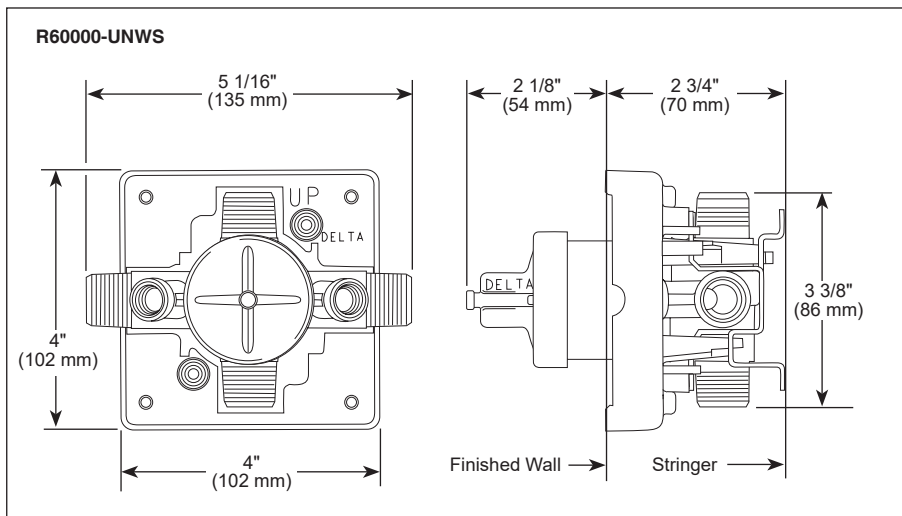
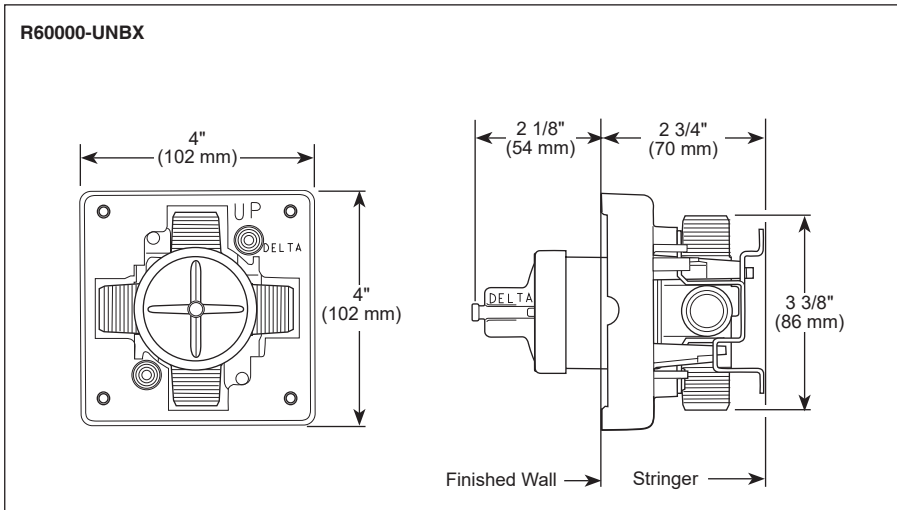
# BRIZO®

## MULTIChoice® UNIVERSAL ROUGH VALVE BODY



Submitted Model No.: \_\_\_\_\_

Specific Features: \_\_\_\_\_



### Extension kits available

Visit our website at [www.brizo.com](http://www.brizo.com) for specification sheet for trim model to identify appropriate RP.

- R60000-UNBX (Universal Single Box Model)
- R60000-UNBXHF (High Flow Shower Only)
- R60000-UNWS (Universal with Stops)
- R60000-UNWSHF (High Flow with Stops Shower Only)
- R60000-PX (Pex Crimp Inlets with UN Outlets)
- R60000-PXWS (Pex Crimp Inlets with Stops And UN Outlets)

### STANDARD SPECIFICATIONS:

- Forged brass body.
- Back-to-Back installation capabilities.
- Can be tested with air (200 PSI) or water (300 PSI) without valve using supplied test cap.
- Square plasterguard allows for right angle cuts.
- Thin wall mounting.
- For use with MultiChoice® Universal single or dual function trim. Cartridge ships with trim.
- 1/2" outlets and connections.

Note: No tub outlet in HF model.

Note: Should use proper fitting with each type (copper tubing, iron pipe, and pex fitting).

Note: Should use proper tooling with crimping pex fitting.

Note: UN indicates Universal type fitting and is 1/2" NPT male thread with 1/2" C.W.T. female sweat.

### WARRANTY

- Lifetime limited warranty on parts (other than electronic parts and batteries) and finishes: or, for commercial users, for 5 years from date of purchase.
- 5 year limited warranty on electronic parts (other than batteries); or, for commercial users, for 1 year from the date of purchase. No warranty is provided on batteries.

### COMPLIES WITH:

- ASME A112.18.1 / CSA B125.1

Brizo Kitchen & Bath Company reserves the right (1) to make changes in specifications and materials, and (2) to change or discontinue models, both without notice or obligation. Dimensions are for reference only. See current full-line price book or [www.brizo.com](http://www.brizo.com) for finish options and product availability.